



PROFESSIONAL PRODUCTS

PRODUCT CATEGORIES

- COOKING
- REFRIGERATION
- KITCHEN CLEANUP
- OUTDOOR PRODUCTS
- VENTILATION

PRICELIST 2006/01

CE Certified Products

All prices quoted in €

ex works Malmö, excl VAT/moms/MVA.

Angivet pris är s.k. vejledende udsalgspris, konsumentpris, excl VAT/moms/MVA

Viking Norden AB

Sundspromenaden 27, SE 211 16 Malmö. Tel +46 40-97 76 00, fax +46 40-97 76 58.
info@vikingnorden.com – www.vikingkitchen.com – www.viking-europe.com

**Cooking Products****Freestanding Ranges**

EVDSC Dual Fuel 30", 36", & 48" Wide Open Burner Ranges
EVESC Electric 30" Wide Range/Cooking Accessory
Range Installation Accessories

Built-In Surface Cooking

EVGRT Gas 30", 36", 42", 48", & 60" Wide Open Burner Rangetops
Gas Surface Cooking Accessories
EVGSU Gas 30" & 36" Wide Cooktops
EVGSU Cooktop Accessories
EVECU Electric 30" & 36" Wide Cooktops

Built-In Ovens

EVESO/VEDO Electric 27" Wide Single/Double Ovens
EVESO/VEDO Electric 30" Wide Single/Double Ovens
EVEWD/DFWD Electric 27", 30", & 36" Wide Warming Drawers/Accessory
EVMWC 27", 30", & 36" Wide Multi-Use Chambers

Refrigeration Products

Built-in Bottom Mount Refrigerator/Freezers and Accessories
Built-in Side-by-Side Refrigerator/Freezers and Accessories
Undercounter/Freestanding 15" & 24" Wide Refrigerated Beverage Centers
Undercounter/Freestanding 15" & 24" Wide Wine Cellars and Accessories

Outdoor Products

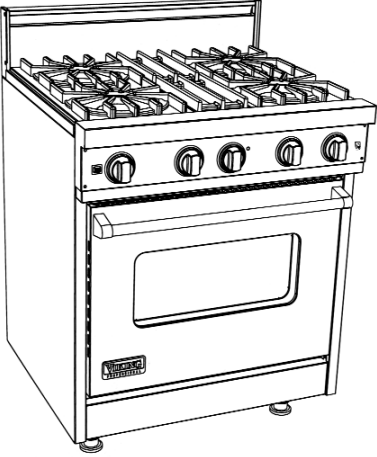
Gas Grills
EVGBQ Gas 30"W. Grill
EVGBQ Gas 41"W. Grills
EVGBQ Gas 53"W. Grills
Grill Carts
Grill Accessories

Kit/Düsen/ for Propan/Butan/ €70

Kit/Düsen/ for Outdoor Nature/ €70

All Range Tops and Ranges must have
Backguards

EV DSC FREESTANDING DUAL FUEL 76 CM RANGE

Description	Model	Approx. Shipping wt. kg	SS BK,WH Finish	GG,BU,LE, MJ, FG,VB, CB,EP Finish	BR Brass Trim Option
 <p>75,9 CM / 61,8 CM SELF-CLEAN RANGE</p> <ul style="list-style-type: none"> shipped with SS backguard standard kickspace height 4 x 4,4 kw SS burners with porcelain/cast iron caps and automatic ignition/ re-ignition; VariSimmer™ setting for all burners center grate allows movement of cooking vessels across entire top surface removable porcelain burner bowls SS drip tray with roller bearing glides eight oven functions - two element bake, convection bake, mini-broil, maxi-broil, convection broil, convection cook (element around fan), convection dehydrate, and convection defrost large self-clean convection oven 58,4 cm x 40 H.x 39,1 D. 93 liters three heavy-duty racks/six positions; two lights 	<p>EV DSC305-4B</p>	<p>190.8</p>	<p>5700€</p>	<p>+400€</p>	<p>+450€</p>

EV DSC SERIES RANGES

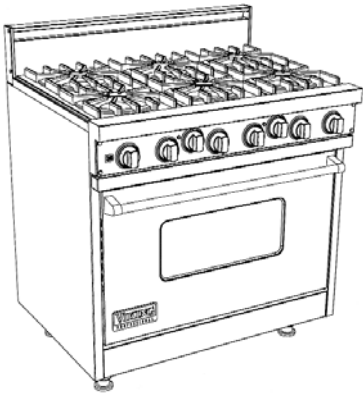
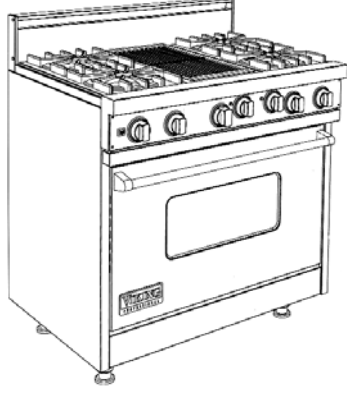
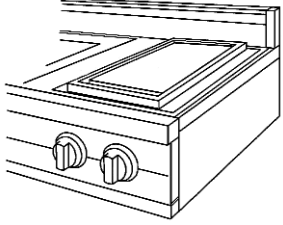
- SS backguard is shipped automatically with 30"W. range, but not with 36"W. or 48"W. range. Either a backguard, high-shelf, or island trim must be used for all installations.
- Window door(s) standard; solid door(s) not available
- Shipped standard for natural gas; field convert to LP / propane with standard regulator.
- Factory conversion for LP /propane gas not available

Finish Details

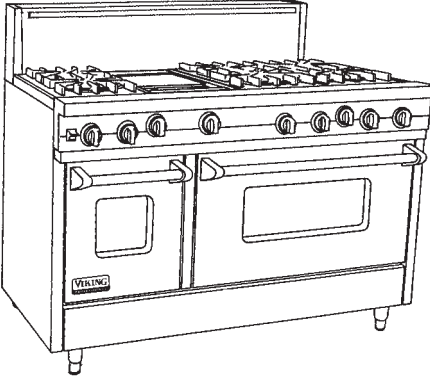
- Black (BK), Almond (AL), Biscuit (BT), Stone Gray (SG), Graphite Gray (GG), Burgundy (BU), Lemonade (LE), Mint Julep (MJ), Forest Green (FG), Viking Blue (VB), Cobalt Blue (CB), and Eggplant (EP).
- Finish designates door front(s), lower front panel, side panels, porcelain grate supports /burner bowls, and porcelain center worktop (30"W. only).
- All finishes have black porcelain grates, black porcelain burner caps, and black knobs /switch(es).
- White (WH)
- Finish designates door front(s), lower front panel, side panels, porcelain grate supports /burner bowls, porcelain center worktop (30"W. only), and knobs / switch(es).
- Has dark gray porcelain grates and dark gray porcelain burner caps.

- Stainless Steel (SS)
- Finish designates door front(s), lower front panel, and side panels.
- Has black porcelain grates, black porcelain burner caps, black porcelain grate supports /burner bowls, black porcelain center worktop (30"W. only), and black knobs /switch(es).
- All finishes have stainless steel handle(s)/chrome plated brackets and stainless steel drip tray pull, control panel, and landing ledge.
- Brass Trim Option (BR)-for any finish; includes nameplate, window trim(s), door handle(s)/brackets, drip tray pull, knob bezels, and grate support side trim. Super durable, long lasting EverBrass™ finish on all "high traffic " parts ((handle and drip tray pull); all other parts have a durable protective coating. All parts designed for maintenance free normal use.

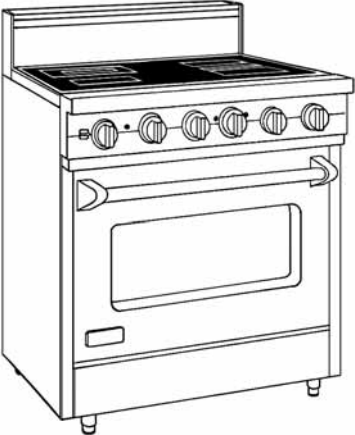
EVDSK FREESTANDING DUAL FUEL 91 CM SELF-CLEAN RANGES

Description	Model	Approx. Shipping wt. kg	SS BK,WH Finish	GG,BU,LE, MJ, FG,VB, CB,EP Finish BR Brass Trim Option
 <p>91 CM/62 CM SELF-CLEAN RANGE</p> <ul style="list-style-type: none"> • standard kickspace height • 6 -4,4 kw SS burners with porcelain/cast iron caps and automatic ignition/re-ignition; VariSimmer™ setting for all burners • removable porcelain burner bowls • SS drip tray with roller bearing glides • eight oven functions - two element bake, convection bake, Mini-Broil, Maxi-Broil, convection broil, convection cook (element around fan), convection dehydrate, and convection defrost • large self-clean convection oven • 73,7 cm X 41 H.X 3 9 , 1 D. • 119 liters • three heavy-duty racks/six positions; two lights <p style="text-align: right;">EVDSK365-6B</p>		210.2	+ Backguard options	8300€ +600€ +500€
 <p>91 CM/62 CM SELF-CLEAN RANGE</p> <ul style="list-style-type: none"> • standard kickspace height • 4 x 4,4 kw SS burners with porcelain/cast iron caps and automatic ignition/re-ignition; VariSimmer™ setting for all burners • removable porcelain burner bowls • 30 cm grill with smoke generator plates and automatic ignition /re-ignition • SS drip tray with roller bearing glides • eight oven functions - two element bake, convection bake, Mini-Broil, Maxi-Broil, convection broil, convection cook (element around fan), convection dehydrate, and convection defrost • large self-clean convection oven • 73,7 cm X 41 H.X 3 9 , 1 • 119 liters • three heavy-duty racks/six positions; two lights <p style="text-align: right;">1 X BARBEQUE EVDSK365-4Q 1 X GRIDDLE EVDSK365-4G</p>		212.4 214.7		
 <p>PORTABLE GRIDDLE</p> <ul style="list-style-type: none"> • cast aluminum with rugged commercial grade no-stick finish on cooking surface • grease trough • place over two right elements with bridge element • can also be used to quickly defrost frozen foods <p style="text-align: right;">GC-PGD</p>		3.6		190€

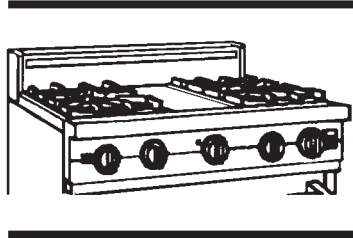
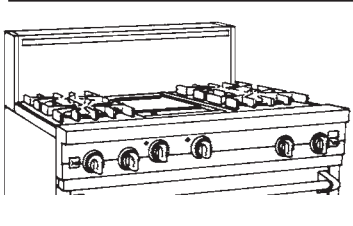
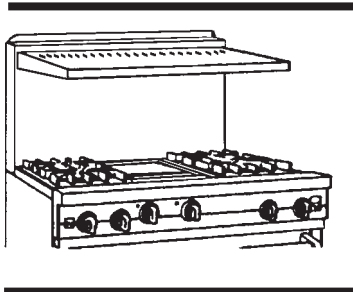
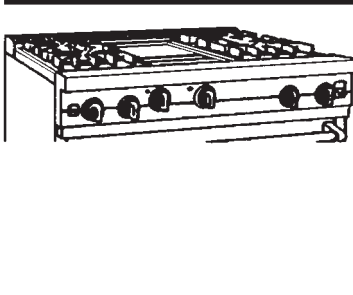
EV DSC FREESTANDING DUAL FUEL 122 SELF-CLEAN RANGES (BOTH OVENS SELF-CLEAN)

Description	Model	Approx. Shipping wt. kg	SS BK,WH Finish	GG,BU,LE, MJ, FG,VB, CB,EP Finish	BR Brass Trim Option
 <p>122 CM/62 CM SELF-CLEAN RANGE</p> <ul style="list-style-type: none"> • standard kickspace height • 6 x 4,4 kw SS burners with porcelain/cast iron caps and automatic ignition/re-ignition; VariSimmer™ setting for all burners • removable porcelain burner bowls • 30 cm thermostatically controlled griddle/simmer plate • SS drip tray with roller bearing glides • right oven - eight oven functions two element bake, convection bake, Mini-Broil, Maxi-Broil, convection broil, convection cook (element around fan), convection dehydrate, and convection defrost • left oven - three oven functions - two element bake, broil, proof (separate low wattage element) • right oven -large self-clean convection oven • 58,4 cm X 41 H.X 39,1 • 93 liters • three heavy-duty racks/six positions; two lights • left oven -self-clean oven • 30,8 cm X 41 H.X 43,8 D. • 57 liters • two heavy-duty racks/six positions;one light 			<p>+ Backguard options</p>		
		289.4		12200€	+600€
		287.1		12200€	+600€
		291.6		13200€	+600€

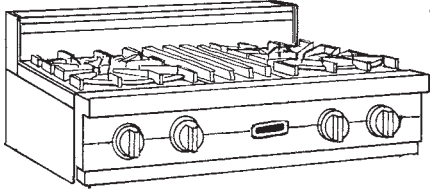
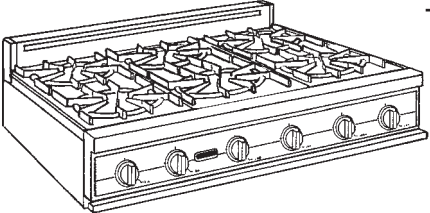
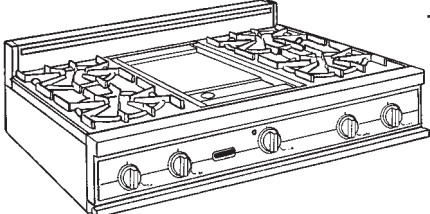
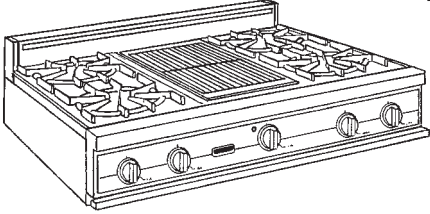
EVESC FREESTANDING ELECTRIC 76 CM GLASS CERAMIC SELF-CLEAN RANGE

Description	Model	Approx. Shipping kg	SS BK, WH Finish	AL, BT, SG GG, BU, LE, MJ FG, VB, CB, EP Finish	BR Brass Trim Option
 <p>76 CM / 62 CM GLASS CERAMIC SELF-CLEAN RANGE</p> <ul style="list-style-type: none"> • shipped with SS backguard • standard kickspace height • strong, wear resistant glass ceramic top • QuickCook™ Surface Elements utilize ribbon element technology - reach full power in about 3 seconds • right front -18 cm 1800 watt element • right rear -18 cm 1800 watt element • 800 watt "bridge" element between right front and right rear elements • left front --16,5 cm 1500 watt element • left rear --dual element -23 cm 2400 watt 15 cm 1000 watt element • eight oven functions - two element bake, convection bake, Mini-Broil, Maxi-Broil, convection broil, convection cook (element around fan), convection dehydrate, and convection defrost • large self-clean convection oven • 58,4 cm x 41 H.x 39,1 D. • 93 liters • three heavy-duty racks/six position; two lights 	<p>EVESC306-4B</p>	<p>172.8</p>	<p>5600€</p>	<p>+400€</p>	<p>+350€</p>

RANGE TOP AND RANGE INSTALLATION ACCESSORIES

	<p>15 CM H. BACKGUARD</p> <ul style="list-style-type: none"> • stainless steel (SS)only • coordinates with all finishes <p>T36BG6 FOR 91 CM T48BG6 FOR 122 CM</p>	<p>7.7 10.8</p>	<p>270€ 320€</p>
	<p>25 CM H. BACKGUARD</p> <ul style="list-style-type: none"> • stainless steel (SS)only • coordinates with all finishes <p>T36BG10 FOR 91 CM / 61,8 CM RANGES T48BG10 FOR 122 CM / 61,8 CM RANGES</p>	<p>9.0 12.2</p>	<p>320€ 370€</p>
	<p>HIGH-SHELF</p> <ul style="list-style-type: none"> • shelf attached to 24"H.backguard • stainless steel (SS)only • coordinates with all finishes <p>T30HS24 FOR 76 CM / 61,8 CM RANGES T36HS24 FOR 91 CM / 61,8 CM RANGES T48HS24 FOR 122 CM / 61,8 CM RANGES</p>	<p>20.3 22.5 27.0</p>	<p>520€ 620€ 690€</p>
	<p>ISLAND TRIM</p> <ul style="list-style-type: none"> • for island/peninsula installation • can replace backguard if wall is non-combustible • stainless steel (SS)only • coordinates with all finishes <p>T30TII FOR 76 CM / 61,8 CM RANGES T36TII FOR 91 CM / 61,8 CM RANGES T48TII FOR 122 CM / 61,8 CM RANGES</p>	<p>4.5 5.0 6.8</p>	<p>210€ 230€ 260€</p>

EVGRT BUILT-IN GAS 76 CM / 91 CM RANGETOPS

Description	Model	Approx. Shipping wt. kg	SS BK, WH Finish	AL, BT, SG GG, BU, LE, MJ FG, VB, CB, EP Finish	BR Brass Trim Option
 <p>76 CM / 61,8 CM RANGETOP</p> <ul style="list-style-type: none"> • 4 x 4,4 kw SS burners with porcelain/cast iron caps and automatic ignition/reignition VariSimmer™ setting for all burners • center grate allows movement of cooking vessels across entire top surface • removable porcelain burner bowls • SS drip tray with roller bearing glides 	EVGRT300-4B	56.3			
			2800€	+300€	+300€
 <p>92 CM / 61,8 CM RANGETOP</p> <ul style="list-style-type: none"> • 6 x 4,4 kw SS burners with porcelain/cast iron caps and automatic ignition/re-ignition; VariSimmer™ setting for all burners • removable porcelain burner bowls • SS drip tray with roller bearing glides 	EVGRT360-6B	67.5			
			3300€	+350€	+300€
 <p>92 CM / 61,8 CM RANGETOP</p> <ul style="list-style-type: none"> • 4 x 4,4 kw SS burners with porcelain/cast iron caps and automatic ignition/re-ignition; VariSimmer™ setting for all burners • removable porcelain burner bowls • 30 cm thermostatically controlled steel griddle/simmer plate • SS drip tray with roller bearing glides 	EVGRT360-4G	72.3			
			3600€	+350€	+300€
 <p>92 CM / 61,8 CM RANGETOP</p> <ul style="list-style-type: none"> • 4 x 4,4 kw SS burners with porcelain/cast iron caps and automatic ignition/re-ignition; VariSimmer™ setting for all burners • removable porcelain burner bowls • 30 cm grill with smoke generator plates and automatic ignition/re-ignition • SS drip tray with roller bearing glides 	EVGRT360-4Q	69.8			
			3600€	+350€	+300€

E SERIES RANGETOPS

- Abackguard is not packaged or shipped automatically with each rangetop. Either a backguard, high-shelf, or island trim must be used for all installations.
- Shipped standard for natural gas; field convert to LP/propane with standard regulator
- Factory conversion for LP/propane gas not available
- 120 cm cord included with rangetop
- 2 wire with ground/3 prong plug
- 23 VAC /5 Hz
- E 360 maximum amps: 4B-0 3; 6B-0.3 4G-2 1 4Q-0 3
- E maximum amps: 6G-2 .1 6Q-0 3 4GQ-2 1

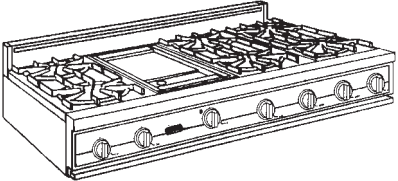
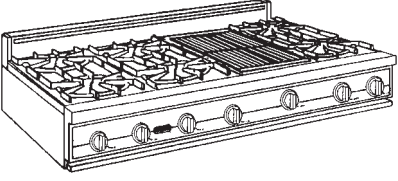
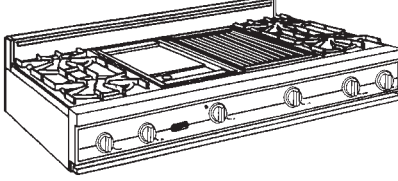
Finish Details

- Black (BK), White (WH), and Stainless Steel (SS) Finishes
- Black units have black porcelain grates, grate supports/burner bowls, center worktop (30"W.model), and burner caps, black enamel control panel, and black knobs.
- White units have dark gray porcelain grates and burner caps, white porcelain grate supports/burner bowls and center worktop (30"W.model), white enamel control panel, and white knobs.
- Stainless Steel units have black porcelain grates, grate supports/burner bowls, center worktop (30"W.model), and burner caps, stainless steel control panel, and black knobs.
- Almond (AL), Biscuit (BT), Stone Gray (SG), Graphite Gray (GG), Burgundy (BU), Lemonade (LE), Mint Julep (MJ),

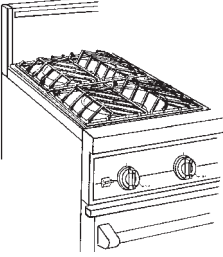
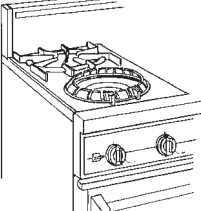
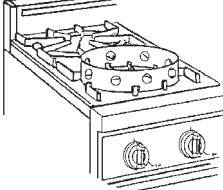
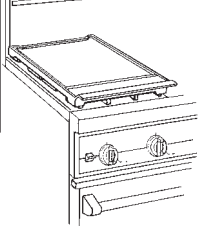
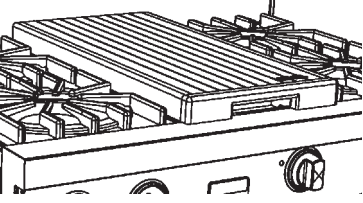
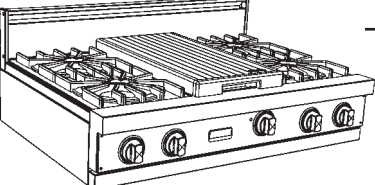
Forest Green (FG), Viking Blue (VB), Cobalt Blue (CB), and Eggplant (EP)

- Units have black porcelain grates and burner caps; porcelain grate supports/burner bowls and center worktop (30 "W.model) in designated color; stainless steel control panel, and black knobs.
- All finishes have stainless steel drip tray pull(s) and landing ledge
- Brass Trim Option (BR)-for any finish; includes drip tray pull(s), nameplate, knob bezels, and grate support side trim. Super durable, long lasting EverBrass™ finish on all "high traffic " parts ((drip tray pull); all other parts have a durable protective coating. All parts designed for maintenance free normal use.



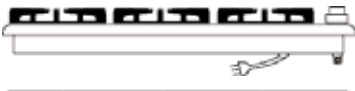
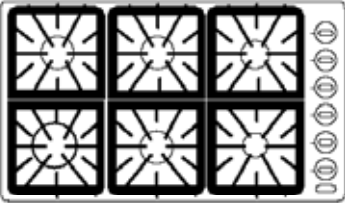
EVGRT BUILT-IN GAS 122 CM RANGETOPS

Description	Model	Approx. Shipping wt. kg	SS BK, WH Finish	AL, BT, SG GG, BU, LE, MJ FG, VB, CB, EP Finish	BR Brass Trim Option
 <p>122 CM / 61,8 CM RANGETOP</p> <ul style="list-style-type: none"> • 6 x 4,4 kw SS burners with porcelain/cast iron caps and automatic ignition/re-ignition; VariSimmer™ setting for all burners • removable porcelain burner bowls • 30 cm thermostatically controlled steel griddle/simmer plate • SS drip tray with roller bearing glides <p style="text-align: right;">EVGRT480-6G</p>		172.8	4300€	+600€	+400€
 <p>122 CM / 61,8 CM RANGETOP</p> <ul style="list-style-type: none"> • 6 -4,4 kw SS burners with porcelain/cast iron caps and automatic ignition/re-ignition; VariSimmer™ setting for all burners • removable porcelain burner bowls • 30 cm grill with smoke generator plates and automatic ignition/re-ignition • SS drip tray with roller bearing glides <p style="text-align: right;">EVGRT480-6Q</p>		172.8	4300€	+600€	+400€
 <p>122 CM / 61,8 CM RANGETOP</p> <ul style="list-style-type: none"> • 4 x 4,4 kw SS burners with porcelain/cast iron caps and automatic ignition/re-ignition; VariSimmer™ setting for all burners • removable porcelain burner bowls • 30 cm thermostatically controlled steel griddle/simmer plate • 30 cm grill with smoke generator plates and automatic ignition/re-ignition • SS drip tray with roller bearing glides <p style="text-align: right;">EVGRT480-4GQ</p>		172.8	4700€	+600€	+400€

GAS SURFACE COOKING ACCESSORIES (VGIC/VGSC/VGRC/VDSC/VGRT)

Description	Model	Approx. Shipping wt. kg	
 <p>"V" GRATES</p> <ul style="list-style-type: none"> • two porcelain/cast iron grates per carton • replaces standard surface grates • provides different look • easy sliding of pots/pans from burner to burner (also possible with standard surface grates) • available in black (BK)or gray (GY) 	GTV	5.9	BK, GY Finish (TWO GRATES) 126€
 <p>WOK GRATE</p> <ul style="list-style-type: none"> • porcelain/cast iron • use in place of surface grate (front burners recommended) • available in black (BK)or gray (GY) 	WGT	2.7	BK, GY Finish 80€
 <p>WOK RING</p> <ul style="list-style-type: none"> • stainless steel • universally designed to securely fit on any Viking Range standard surface grate (front burners recommended) 	UWRG	0.5	58€
 <p>PORTABLE GRIDDLE</p> <ul style="list-style-type: none"> • cast aluminum with rugged commercial grade no-stick finish on cooking surface • grease trough in front • fits over standard surface grates • can also be used to quickly defrost frozen foods 	PGD	5.9	230€
 <p>HARDWOOD COVER</p> <ul style="list-style-type: none"> • maple hardwood "butcher block " construction • can also be used as cutting board • fits over standard surface grates,(not "V " grates),griddle,or grill 	CCH	3.6	90€
 <p>HARDWOOD CUTTING BOARD</p> <ul style="list-style-type: none"> • maple hardwood "butcher block " construction • reversible -use both sides • fits griddle plate 	HCB	2.3	70€

EDVGSU BUILT-IN GAS 80 CM AND 95 CM COOKTOPS

Description	Model	Approx. Shipping wt. kg	SS BK,WH Finish	Br Brass trim Option
80 CM COOKTOP				
  <ul style="list-style-type: none"> • commercial-type styling • dimensioned to fit virtually all 30" W cooktop cutouts • four sealed burners with brass flame ports, porcelain/cast iron burner caps, and automatic ignition/re-ignition • left front - 4,10 kw high /0,59 kw low • left rear - 3,52 kw high /0,5 kw lo w • right rear - 2,67 kw high /0,35 kw lo w • right front - 1,76 high /0,28 kw low • three separate spill collection areas • left and right spill collection areas hold 5 cups or 1 1/4 quarts of liquid spills • center spill collection area holds 2 cups or 1/2 quart of liquid spills • natural gas standard; for LP/propane 	DVGSU101-4B	23.4	1950€	+60€
95 CM COOKTOP				
  <ul style="list-style-type: none"> • commercial-type styling • dimensioned to fit virtually all 36"W. cooktop cutouts • only "countertop cutout " six burner cooktop in 36" width • six sealed burners with brass flame ports, porcelain/cast iron burner caps, and automatic ignition/re-ignition • left front - 4,10 kw high /0,59 kw low • left rear, center front, center rear - 3,52 kw high /0,50 kw low • right rear - 2,67 kw high /0,35 kw low • right front - 1,76 kw high /0,28 kw low • three spill collection areas - each holds 5 cups of liquid spillover • natural gas standard;for LP/propane 	DVGSU161-6B	34.7	2500€	+70€

E SERIES COOKTOP

- Shipped standard for natural gas
- Field conversion --order LK 70 -D conversion kit
- 120 cm cord included with cooktop
- 2 wire with ground//3 prong plug
- 23 VAC /5
- D /D maximum amps - 0.6

Finish Details

- Black (BK), White (WH), and Stainless Steel (SS)
Finish designates top.Black and Stainless Steel units have black porcelain grates,black porcelain burner caps,and black knobs.
White units have gray porcelain grates,gray porcelain burner caps, and white knobs.
- Brass Trim Option (BR)-for any finish;includes knob bezels.All have a protective coating for maintenance free normal use.

EVECU BUILT-IN ELECTRIC GLASS CERAMIC COOKTOPS

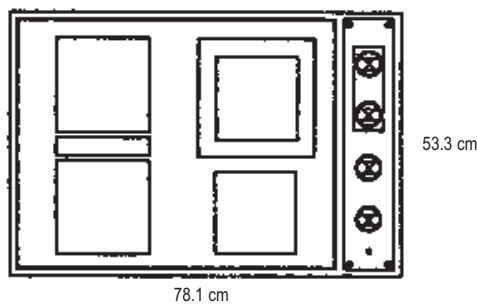
Description	Model	Approx. Shipping wt. kg	SB Finish	SW Finish	BR Brass Trim Option
GLASS CERAMIC COOKTOPS					
	<ul style="list-style-type: none"> • commercial-type styling • designed to fit the majority of similarly sized cook top cutouts • strong, wear resistant glass ceramic top • QuickCook™ Surface Elements utilize ribbon element technology - reach full power in about 3 seconds <p>78 cm</p> <ul style="list-style-type: none"> • left front - 7" 1800 watt • left rear - 7" 1800 watt; 800 watt bridge • right front - 6 1/2" 1,500 watt • right rear - 9" - 6"/2,500 - 1,000 watt <p>94 cm</p> <ul style="list-style-type: none"> • left front - 8 1/4" - 4 3/4"/2,200 - 750 watt • left rear - 6 1/2" 1500 watt • center front - 7" 1800 watt • center rear - 7" 1800 watt; 800 watt bridge • right front - 6"/1,200 watt • right rear - 9" - 6"/2,500 watt - 1,000 watt 				
EVECU105-4B (78 CM)		172.8	1620€		
EVECU165-6B (94 CM)			1920€		

EVECU ELECTRIC 78 CM/94 CM GLASS WIDE COOKTOPS DIMENSIONS

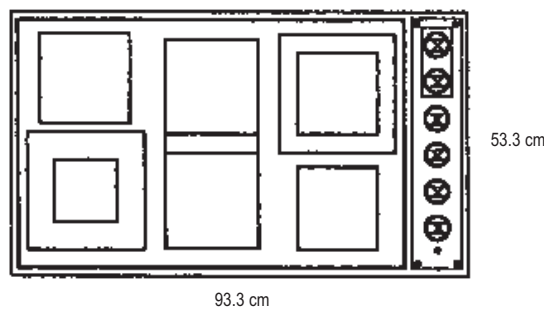
Height dimensions



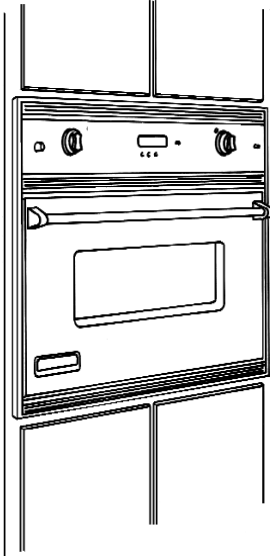
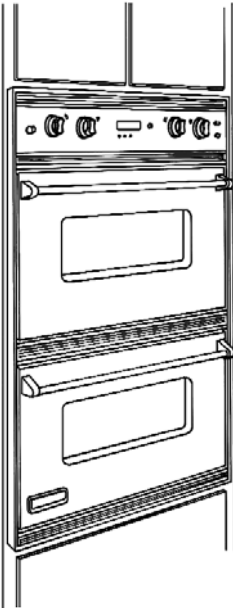
Top – 78 cm wide model dimensions



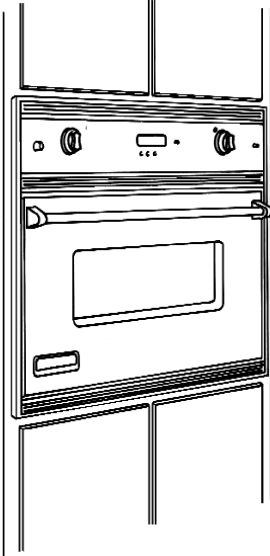
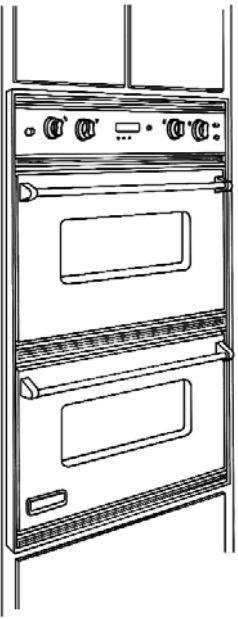
Top – 94 cm wide model dimensions



BUILT-IN ELECTRIC 68 CM SINGLE / DOUBLE THERMAL-CONVECTION OVENS

Description	Model	Approx. Shipping wt. kg	SS BK, WH Finish	AL, BT, SG GG, BU, LE, MJ FG, VB, CB, EP Finish	BR Brass Trim Option
68 CM THERMAL-CONVECTION OVENS					
 <ul style="list-style-type: none"> • commercial-type styling • electronic clock/timer • 100 minute timer • set cooking time for up to 12 hours • delay cooking feature • tone and digital display indicate pre-set cooking time is finished • also functions as an alarm • self-clean ovens • thermal-convection ovens • two--element bake • convection bake • Maxi--Broil (eight-pass element) • Mini--Broil (four-pass element) • convection broil ((eight-pass element) • convection cook ((element around fan) • convection dehydrate • convection defrost • large oven cavities • 50,8 cm x 41 cm x 39,1 cm deep • 80 liters each • three heavy--duty racks/six positions/two lights 					
	EVESO176 - SINGLE	106.7	3400€	+300€	+250€
	EVEDO276 - DOUBLE	162.0	5400€	+400€	+400€

BUILT-IN ELECTRIC 76 CM SINGLE/DOUBLE THERMAL-CONVECTION OVENS

Description	Model	Approx. Shipping wt. kg	SS BK, WH Finish	AL, BT, SG GG, BU, LE, MJ FG, VB, CB, EP Finish	BR Brass Trim Option
76 CM THERMAL-CONVECTION OVENS					
 <ul style="list-style-type: none"> • commercial-type styling • electronic clock/timer • 100 minute timer • set cooking time for up to 12 hours • delay cooking feature • tone and digital display indicate pre-set cooking time is finished • also functions as an alarm • self-clean ovens • thermal-convection ovens • two--element bake • convection bake • Maxi--Broil (eight-pass element) • Mini--Broil (four-pass element) • convection broil ((eight-pass element) • convection cook ((element around fan) • convection dehydrate • convection defrost • large oven cavities • 58,4 cm x 41 cm high x 39,1 deep • 93 liters each • three heavy--duty racks/six positions/two lights 					
	<p>EVESO105 - SINGLE</p> <p>EVEDO205 - DOUBLE</p>	<p>172.8</p>	<p>3500€</p> <p>5600€</p>	<p>+300€</p> <p>+400€</p>	<p>+250€</p> <p>+400€</p>

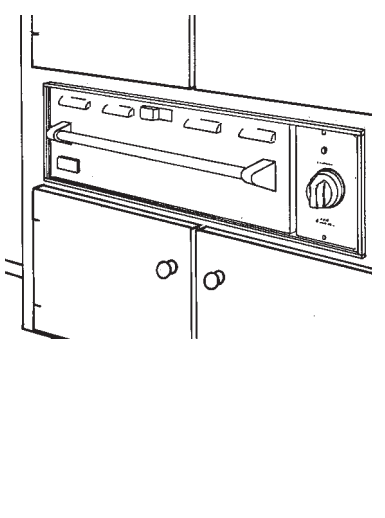

Finish Details

- Standard finishes -Black (BK), White (WH), and Stainless Steel (SS)
- Designer finishes:Almond (AL), Biscuit (BT), Stone Gray (SG), Graphite Gray (GG), Burgundy (BU), Lemonade (LE), Mint Julep (MJ), Forest Green (FG), Viking Blue (VB), Cobalt Blue (CB), and Eggplant (EP)
- Finish designates door fronts.Black units have a black control panel and black knobs/switches. White units have a white control panel and white knobs/switches. Stainless steel and all designer finishes have a stainless steel control panel and black knobs/switches.

All finishes have silver finished vertical/horizontal trim, and stainless steel door handles with chrome plated brackets.

- Brass Trim Options (BR)-for any finish;includes nameplate, window trim,door handles/brackets and knob bezels.Super durable, long lasting EverBrass™ finish on "high traffic" parts (handles); all other parts have a durable protective coating. All parts designed for maintenance free use.

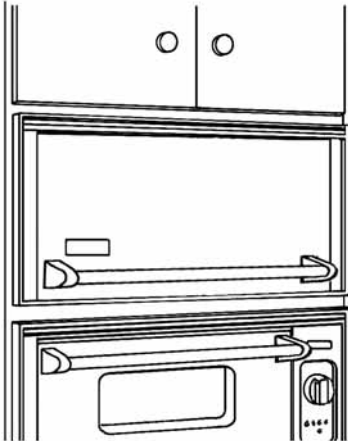
BUILT-IN ELECTRIC 68 CM / 76 CM / WARMING DRAWERS / ACCESSORY

Description	Model	Approx. Shipping wt. kg	SS BK, WH Finish	AL, BT, SG GG, BU, LE, MJ FG, VB, CB, EP Finish	BR Brass Trim Option
68 CM, 76 CM, AND WARMING DRAWERS					
	<ul style="list-style-type: none"> commercial -- type size, construction, design, and styling LARGEST drawer pan available 68 cm model:43,7 x 15,2 H.x 57,8 D -39,6 liters 76 cm model:52,1 x 15,2 H. x 57,8 D.-45,3 liters two half-sized low rack and moisture cup standard/EXCLUSIVE stainless steel low racks with slots for heat distribution partially fill moisture cup with water to increase moisture in pan entire drawer removes for easy cleaning 68 cm W..model -425 watt element 76 cm W model -450 watt element temperature settings from 32 C° to 121 C° moisture selector control stainless steel roller bearing glides 				
	EVEWD172 (68 CM WIDE)	42.8	1500€	+300€	+225€
	EVEWD102 (76 CM WIDE)	48.6	1700€	+300€	+225€
PAN/LID SET					
	<ul style="list-style-type: none"> five commercial pans with lids two 6,35 cm D..x 30,48 cm L.x 17,78 cm W. two 10,16 cm D..x 30,48 cm L.x 17,78 cm W one 10,16 cm D..x 30,48 cm L.x 26,67 cm W. heavy gauge stainless steel 				
	PAN-VEWD	4.5	370€		

Finish Details

- Finish designates drawer and control panel fronts. All finishes except white have a black knob. White units have a white knob. All finishes have silver finished vertical/horizontal trim, and stainless steel door handles with chrome plated brackets.
- Brass Trim Options (BR)-for any finish; includes nameplate, drawer handle/brackets, and knob bezel. Super durable, long lasting EverBrass™ finish on "high traffic" parts (handles); all other parts have a durable protective coating. All parts designed for maintenance free use.
- Black (BK), White (WH), Stainless Steel (SS), Almond (AL), Biscuit (BT), Stone Gray (SG), Graphite Gray (GG), Burgundy (BU), Lemonade (LE), Mint Julep (MJ), Forest Green (FG), Viking Blue (VB), Cobalt Blue (CB), and Eggplant (EP)

68 CM / 76 CM / MICRO-CHAMBERS

Description	Model	Approx. Shipping wt. kg	SS BK, WH Finish	AL, BT, SG GG, BU, LE, MJ FG, VB, CB, EP Finish	BR Brass Trim Option
68 CM, 76 CM, MICRO-CHAMBERS					
 <ul style="list-style-type: none"> • commercial styling and construction • conceals microwave to keep consistent commercial-type styling throughout kitchen • "up-swing" door for easy access • Interior cavity – largest possible useable space • 68 cm models -60 cm x 30,5 cm H.x 57,2 cm D. • 76 cm models -67,6 cm x 30,5 cm H.x 57,2 cm D. • microwave not included 					
	<p>VMWC171 (68 CM W.)</p> <p>VMWC101 (76 CM W.)</p>	<p>45.0</p> <p>47.3</p>	<p>1200€</p> <p>1300€</p>	<p>+300€</p> <p>+300€</p>	<p>+225€</p> <p>+225€</p>

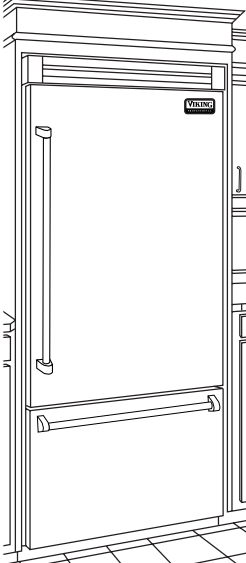
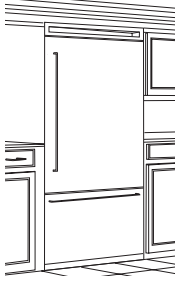
VMWC SERIES MICRO-CHAMBERS

Micro-Chambers are not connected to gas or electricity. A large access hole in rear wall of interior provides ventilation and electrical cord outlet for "locally supplied" microwave oven.

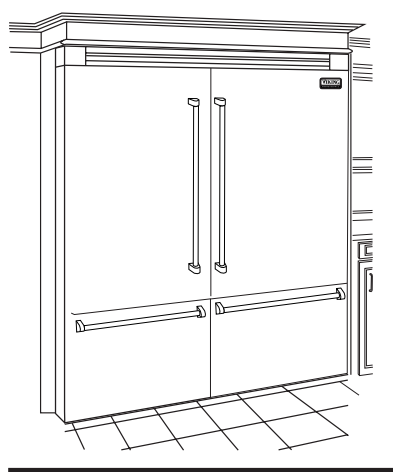
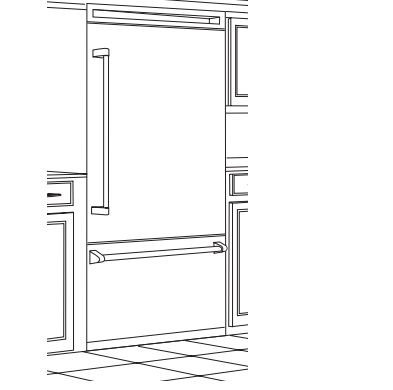
Finish Details

- Finish designates door front and side door frame. All finishes have stainless steel handles with chrome plated brackets.
- Brass Trim Option ((BR)-for any finish; includes nameplate and door handle/brackets. Super durable, long lasting EverBrass™ finish on "high traffic" part (handle); all other parts have a durable protective coating. All parts designed for maintenance free use.
- Black (BK), White (WH), Stainless Steel (SS), Almond (AL), Biscuit (BT), Stone Gray (SG), Graphite Gray (GG), Burgundy (BU), Lemonade (LE), Mint Julep (MJ), Forest Green (FG), Viking Blue (VB), Cobalt Blue (CB), and Eggplant (EP)

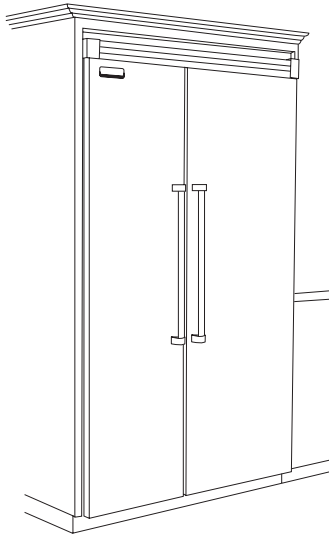
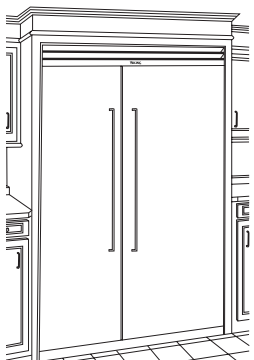
BUILT-IN BOTTOM MOUNT REFRIGERATOR/FREEZERS AND ACCESSORY

Description	Model	Approx. Shipping wt. kg	SS BK, WH Finish	AL, BT, SG GG, BU, LE, MJ FG, VB, CB, EP Finish	BR Brass Trim Option						
91,4 CM BOTTOM MOUNT REFRIGERATOR/FREEZERS											
	<table border="0"> <tr> <td>Total Capacity</td> <td>Refrigerator Capacity</td> <td>Freezer Capacity</td> </tr> <tr> <td>574,8 L</td> <td>430,4 L</td> <td>144,4 L</td> </tr> </table> <p>212cm H x 91,4cm W commercial-style appearance/design</p> <ul style="list-style-type: none"> • formed door front panels • heavy-duty stainless steel handles, side trim, and upper grille • large die-cast nameplate frost-free refrigerator • electronic temperature control • five adjustable tempered glass spill proof shelves • convertible//temperature controlled Meat Savor™/produce drawer with roller bearing glides • two moisture adjustable, see-through produce drawers • dairy compartment with cover and five bins on door • standard accessories include egg bin, wine trivet, and "butter" tray frost-free freezer • electronic temperature control • factory installed automatic ice maker • two slide out wire baskets top mounted and front venting sealed refrigeration system dual magnet door seal system power interruption switch to turn off all power automatic energy saving exterior moisture control system adjustable door stops – 90°, 110°, or 120° swing 	Total Capacity	Refrigerator Capacity	Freezer Capacity	574,8 L	430,4 L	144,4 L				
Total Capacity	Refrigerator Capacity	Freezer Capacity									
574,8 L	430,4 L	144,4 L									
	<p>EVCBB363R (RIGHT HINGE)</p> <p>EVCBB363L (LEFT HINGE)</p>	<p>213.2</p> <p>213.2</p>	<p>7500€</p> <p>7500€</p>	<p>+580€</p> <p>+580€</p>	<p>+450€</p> <p>+450€</p>						
91,4 CM BOTTOM MOUNT REFRIGERATOR/FREEZERS											
	<ul style="list-style-type: none"> • same performance features as E bottom-mount refrigerator/freezers • install with locally supplied custom door front <p>EDFBB363 – FULL OVERLAY</p> <p>Add "R" after model number for right-hinge Add "L" after model number for left-hinge</p>	<p>212</p>	<p>6600€</p>								

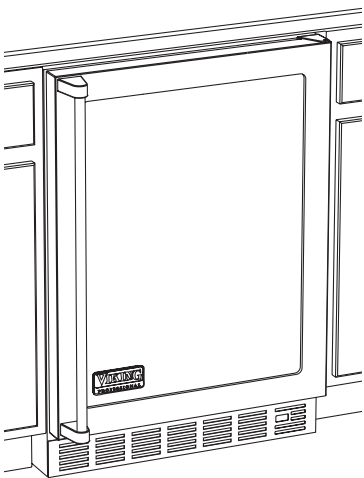
BUILT-IN BOTTOM MOUNT REFRIGERATOR/FREEZERS AND ACCESSORY

Description	Model	Approx. Shipping wt. kg	
183 CM STAINLESS STEEL GRILLE KIT			
	<ul style="list-style-type: none"> • for use with installation of two 91,4 cm bottom mount refrigerator/freezers side-by-side • creates a "single unit " look • for Professional Series VCBB refrigerator/freezers • kit includes full--length 183 cm wide upper grille, center cabinet trim connector, and all installation hardware 	12	620€
PROFESSIONAL SERIES HANDLE KITS			
	<ul style="list-style-type: none"> • for use with E refrigerator/freezers • for use on locally supplied full overlay panels • includes two handles//four brackets and installation hardware • allows DFBB with full overlay panel to coordinate with other Professional Series products 	5	620€
	<p style="text-align: center;">PHK-DFBB-SS</p> <ul style="list-style-type: none"> • Stainless steel handle kit 	5	990€
	<p style="text-align: center;">PHK-DFBB-BR</p> <ul style="list-style-type: none"> • Brass handle kit 	5	990€

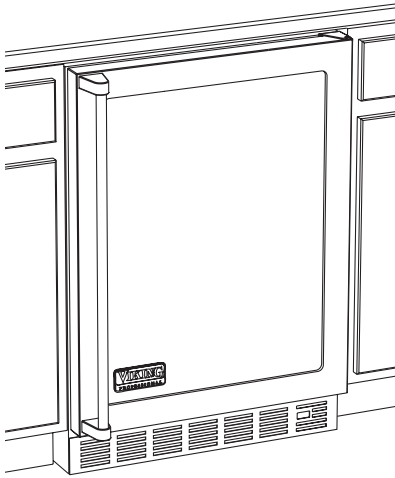
BUILT-IN SIDE-BY-SIDE REFRIGERATOR/FREEZERS

Description	Model	Approx. Shipping wt. kg	SS BK, WH Finish	AL, BT, SG GG, BU, LE, MJ FG, VB, CB, EP Finish	BR Brass Trim Option						
 <p>122 CM SIDE-BY-SIDE REFRIGERATOR/FREEZER</p> <table border="1" data-bbox="510 436 1005 537"> <tr> <td>Total Capacity</td> <td>Refrigerator Capacity</td> <td>Freezer Capacity</td> </tr> <tr> <td>773 L</td> <td>523,9 L</td> <td>249 L</td> </tr> </table> <p>212 cm H x 122 cm W</p> <ul data-bbox="510 560 1005 1624" style="list-style-type: none"> • ProChill™ Temperature Management System • single compressor system includes the quietest, most technologically advanced compressor available • electronic controls maintain the temperature selection within 1°C • multi-channel airflow system removes odors and excess humidity • frost-free refrigerator • five adjustable tempered glass spillproof shelves • convertible temperature controlled Meat Savor™/produce drawer with precision ball-bearing glides • separate temperature control can be set for produce or fresh meat storage • quick chill option chills foods and beverages in minutes • moisture adjustable, see-through produce drawer with precision ball-bearing glides • two in-the-door dairy compartments with covers • four adjustable aluminum door bins with tempered glass fronts • standard accessories include wine trivet, egg bin, and butter tray • frost-free freezer • adaptive defrost • factory-installed automatic ice maker • three wire shelves and two slide-out baskets • four adjustable aluminum door bins with tempered glass fronts • top mounted and front venting sealed refrigeration system • dual magnet and spring-assisted door closer mechanism • robust commercial style door hinges • power interruption switch to turn off all power • automatic energy saving exterior moisture control system • open door alarm sounds and glows to warn that door has been ajar for three minutes • adjustable door stops standard - 90°, 110°, and 120° swing <p style="text-align: right;">EVCSB483</p>	Total Capacity	Refrigerator Capacity	Freezer Capacity	773 L	523,9 L	249 L		237	8720€	+880€	+580€
Total Capacity	Refrigerator Capacity	Freezer Capacity									
773 L	523,9 L	249 L									
 <p>122 CM SIDE-BY-SIDE REFRIGERATOR/FREEZER</p> <ul data-bbox="510 1780 1005 1848" style="list-style-type: none"> • same performance features as VCSB • install with locally supplied custom door front <p style="text-align: right;">DFSB483 (full overlay)</p>		230	7820€								

UNDERCOUNTER/FREESTANDING 61.5 CM REFRIGERATED BEVERAGE CENTERS

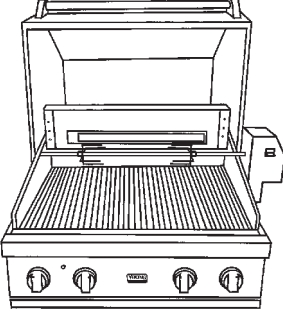
Description	Model	Approx. Shipping wt. kg	SS BK, WH Finish	AL, BT, SG, GG, BU, LE, MJ FG, VB, CB, EP Finish	BR Brass Trim Option
61.5 CM REFRIGERATED BEVERAGE CENTER					
 <ul style="list-style-type: none"> • top wire shelf has 6 1/2" flip up section to chill or store open wine bottles or large containers • two full-depth tempered glass shelves with top wire shelf hold 148 12-ounce cans and create distinct temperature zone for wine storage • two wine shelves cradle 14 bottles and pull out for easy access • temperature adjusts from 2°C to 15°C • automatic cycle defrost • interior light - turns on by switch when door is opened • install as undercounter or freestanding unit • black exterior cabinet 					
	EVUAR140 - CLEAR GLASS DOOR (reversible)	65	1910€		
	EVUAR140F - FLUTED GLASS DOOR (reversible)	65	1910€		

UNDERCOUNTER/FREESTANDING 61.5 CM WINE CELLARS

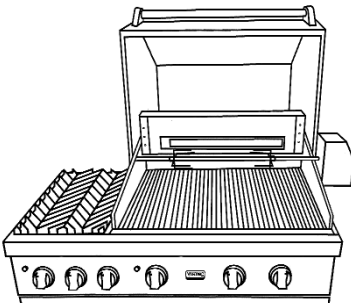
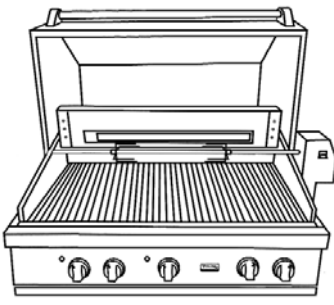
Description	Model	Approx. Shipping wt. kg	SS BK, WH Finish	AL, BT, SG, GG, BU, LE, MJ FG, VB, CB, EP Finish	BR Brass Trim Option
61.5 CM WINE CELLAR					
 <ul style="list-style-type: none"> • temperature adjusts from 5° C to 16° C • six wire shelves plus bottom wood cradle hold 50 bottles of wine horizontally to keep corks moist • shelves are coated to reduce vibration and hold bottles snugly in place • shelves can be removed to store magnum or larger bottles • ultraviolet-resistant tempered glass and black interior protects wine from harmful light • maple wood facings provide additional ultraviolet protection • low intensity lighting displays wine with minimal heat and light output • light turns on when door is opened or by switch to illuminate contents • keyed door lock provides protection for stored wines (glass door models) • must be ordered right or left hinge • black exterior cabinet • install as undercounter or freestanding unit 					
	EVUWC141 (R OR L*) - CLEAR GLASS DOOR	65	1910€		
	EVUWC141F (R OR L*) - FLUTED GLASS DOOR	65	1910€		

* r=right hinge; l=left hinge


DVGBQ "T" SERIES OUTDOOR GAS 76 CM GRILLS

Description	Model	Approx. Shipping wt. kg	SS Finish	VB, CB, EP Finish	BR Brass Trim Option
 <p>76 CM GRILL WITH GOURMET-GLO™ ROTISSERIE</p> <ul style="list-style-type: none"> • 2 x 7.33 kW stainless steel grill burners (one is dual purpose grill/smoker burner) with stainless steel drip guards • 4.4 kW Gourmet-Glo™ infrared rear burner with rotisserie motor, 1/2" rotisserie rod and heavy duty forks • electronic ignition powered by a 9 volt battery • porcelainized cooking grids • 0.363 m2 grilling area • stainless steel flavor generator plates • removable smoker box • adjustable three position stainless steel warming rack • stainless steel drip tray with an individual grease management tray and stainless steel ball bearing roller glides • thermometer on canopy indicates temperature range for grilling, smoking and warming • can be built-in or portable with cart accessory - sold separately • must specify natural gas (N) or LP/propane (L) <p style="text-align: right;">VGBQ300-2RT-N (NATURAL)</p> <p style="text-align: right;">DVGBQ300-2RT-L (LP/PROPANE)</p>					
		148	3600€		+350€


DVGBQ "T" SERIES OUTDOOR GAS 105 CM GRILLS

Description	Model	Approx. Shipping wt. kg	SS Finish	VB, CB, EP Finish	BR Brass Trim Option
 <p>105 CM GRILL WITH GOURMET-GLO™ ROTISSERIE AND DOUBLE SIDE BURNERS</p> <ul style="list-style-type: none"> • 2 x 7.33 kW stainless steel grill burners (one is dual purpose grill/smoker burner) with stainless steel drip guards • 4.4 kW Gourmet-Glo™ infrared rear burner with rotisserie motor, 1/2" rotisserie rod and heavy duty forks • double 4.4 kW stainless steel side burners with porcelainized "V" grates and stainless steel cover • electronic ignition powered by a 9 volt battery • porcelainized cooking grids • 0.363 m² grilling area • stainless steel flavor generator plates • removable smoker box • adjustable three position stainless steel warming rack • stainless steel drip tray with two individual grease management trays and stainless steel ball bearing roller glides • thermometer on canopy indicates temperature range for grilling, smoking and warming • can be built-in or portable with cart accessory - sold separately • must specify natural gas (N) or LP/propane (L) <p style="text-align: center;">VGBQ412-2RT-N (NATURAL)</p> <p style="text-align: center;">DVGBQ412-2RT-L (LP/PROPANE)</p>					
 <p>105 CM GRILL WITH GOURMET-GLO™ ROTISSERIE</p> <ul style="list-style-type: none"> • 3 x 7.33 kW stainless steel grill burners (one is dual purpose grill/smoker burner) with stainless steel drip guards • 4.4 kW Gourmet-Glo™ infrared rear burner with rotisserie motor, 1/2" rotisserie rod and heavy duty forks • electronic ignition powered by a 9 volt battery • porcelainized cooking grids • 0.54 m² grilling area • stainless steel flavor generator plates • removable smoker box • adjustable three position stainless steel warming rack • stainless steel drip tray with two individual grease management trays and stainless steel ball bearing roller glides • thermometer on canopy indicates temperature range for grilling, smoking and warming • can be built-in or portable with cart accessory - sold separately • must specify natural gas (N) or LP/propane (L) <p style="text-align: center;">VGBQ410-3RT-N (NATURAL)</p> <p style="text-align: center;">DVGBQ410-3RT-L (LP/PROPANE)</p>					



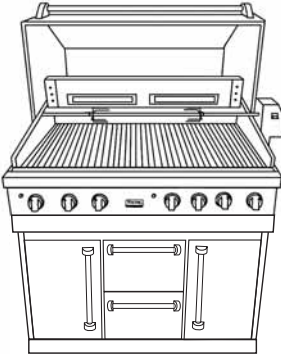
DVGBQ "T" SERIES OUTDOOR GAS 135 CM GRILLS

Description	Model	Approx. Shipping wt. kg	SS Finish	VB, CB, EP Finish	BR Brass Trim Option
 <p>135 CM GRILL WITH GOURMET-GLO™ ROTISSERIE AND DOUBLE SIDE BURNERS</p> <ul style="list-style-type: none"> • 3 x 7.33 kW stainless steel grill burners (one is dual purpose grill/smoker burner) with stainless steel drip guards • 4.4 kW Gourmet-Glo™ infrared rear burner with rotisserie motor, 1/2" rotisserie rod and heavy duty forks • double 4.4 kW stainless steel side burners with porcelainized "V" grates and stainless steel cover • electronic ignition powered by a 9 volt battery • porcelainized cooking grids • 0.54 m² grilling area • stainless steel flavor generator plates • removable smoker box • adjustable three position stainless steel warming rack • stainless steel drip tray with two individual grease management trays and stainless steel ball bearing roller glides • thermometer on canopy indicates temperature range for grilling, smoking and warming • can be built-in or portable with cart accessory - sold separately • must specify natural gas (N) or LP/propane (L) <p style="text-align: right;">DVGBQ532-3RT-N (NATURAL)</p> <p style="text-align: right;">DVGBQ532-3RT-L (LP/PROPANE)</p>					
		210	5600€		+450€
		210	5600€		+450€


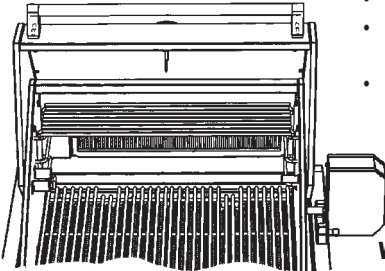
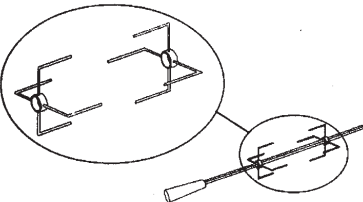
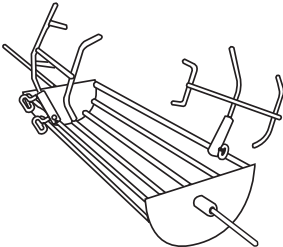
DVGBQ "T" SERIES OUTDOOR GAS 135 CM GRILLS


 <p>135 CM GRILL WITH GOURMET-GLO™ ROTISSERIE</p> <ul style="list-style-type: none"> • 4x7.33 kW stainless steel grill burners (one is dual purpose grill/smoker burner) with stainless steel drip guards • 2x4.4 kW Gourmet-Glo™ infrared rear burner with rotisserie motor, 1/2" rotisserie rod and heavy duty forks • electronic ignition powered by a 9 volt battery • porcelainized cooking grids • 0.72 m² grilling area • stainless steel flavor generator plates • removable smoker box • adjustable three position stainless steel warming rack • stainless steel drip tray with two individual grease management trays and stainless steel ball bearing roller glides • thermometer on canopy indicates temperature range for grilling, smoking and warming • can be built-in or portable with cart accessory - sold separately <p style="text-align: right;">DVGBQ530-4RT-N (NATURAL)</p> <p style="text-align: right;">DVGBQ530-4RT-L (LP/PROPANE)</p>					
		223	5600€		+450€
		223	5600€		+450€

OUTDOOR GAS GRILL CARTS

Description	Model	Approx. Shipping wt. kg	SS Finish	BR Brass Trim Option
 <p>GRILL CART 76 CM</p> <ul style="list-style-type: none"> • heavy-duty stainless steel construction • two stainless steel 16" x 24" fold down side shelves • towel/utensil rod • front access for LP tank • four locking casters provide maneuverability as well as stability 	BQC300T3-SS	75	1400€	+200€
 <p>GRILL CART 105 CM</p> <ul style="list-style-type: none"> • heavy-duty stainless steel construction • two stainless steel 16" x 24" fold-down side shelves • front access for LP tank • two storage drawers • large in-board solid rubber rear wheels and locking caster front wheels provide maneuverability as well as stability 	BQC410T1-SS	116	2100€	+300€
 <p>GRILL CART 135 CM</p> <ul style="list-style-type: none"> • heavy-duty stainless steel construction • two stainless steel 16" x 24" fold-down side shelves • front access for LP tank • two storage drawers • front storage access door • large in-board solid rubber rear wheels and locking caster front wheels provide maneuverability as well as stability 	BQC530T1-SS	132	2500€	+425€

VGBQ/VGIQ OUTDOOR GAS GRILL ACCESSORIES

Description	Model	Approx. Shipping wt. kg
VINYL COVERS		
	<ul style="list-style-type: none"> • sturdy reinforced vinyl on the outside; felt lined to protect unit on the inside • available in sizes to fit built-in or portable units <p>CV30T-C (30" cart) 5 130€</p> <p>CV41T-C (41" cart - all grill) 7 210€</p> <p>CV41T-CSB (41" cart - grill w/SB)</p> <p>CV53T-C (53" cart - all grill) 8 140€</p> <p>CV53T-CSB (53" cart - grill w/SB)</p> <p>C = grill with cart BI = built-in grill SB = side-burner</p>	
WARMING RACK		
	<ul style="list-style-type: none"> • one standard with all units; can use up to three racks • provides additional rack space area for cooking and warming • order by size of grill area 2 burners (WR2T), 3 burners (WR3T), or 4 burners (WR4T) <p>WR2TSS - for 30" grill and 41" grill with sideburners 3 73€</p> <p>WR3TSS - for 41" all grill and 53" grill with sideburners 4 120€</p> <p>WR4TSS - for 53" all grill 6 160€</p>	
ROTISSERIE FORKS		
	<ul style="list-style-type: none"> • 2 rotisserie forks for use with Gourmet Glo™ rotisserie units <p>RFK 3 65€</p>	
ROTISSERIE BASKET		
	<ul style="list-style-type: none"> • heavy duty stainless steel construction • adjustable clamps • cook different size and shape items without wiring, tying or spearing • limited lifetime warranty • for use with Gourmet-Glo™ rotisserie units <p>BQRB306T (6" width) for 30" grill and 41" grill with sideburners 3 190€</p> <p>BQRB308T (8" width) for 30" grill and 41" grill with sideburners 4 190€</p> <p>BQRB416T (6" width) for 41" all grill and 53" grill with sideburners 4 190€</p> <p>BQRB418T (8" width) for 41" all grill and 53" grill with sideburners 4 190€</p> <p>BQRB538T (8" width) for 53" all grill 5 320€</p>	

Description	Model	Approx. Shipping wt. kg
 <p>PROFESSIONAL COOKING MITT</p> <ul style="list-style-type: none"> • can be used for cooking indoors or outdoors • hand area is equipped with VaporGuard™ liquid/vapor barrier which protects against burns • hand area material is Nomex® and resists scorching from open flames • mitt has black hand area with gray upper sleeve and embroidered Viking logo • machine washable/dryable 	PCM	00€
<p>GAS CONVERSION KITS</p> <ul style="list-style-type: none"> • for field conversions – two separate kits -convert natural to LP/Propane -convert LP/Propane to natural • includes all hardware necessary to convert any size outdoor grill <p>CONVERT FROM LP/PROPANE TO NATURAL - TNK-VGBQ</p> <p>CONVERT FROM NATURAL TO LP/PROPANE - TLPK-VGBQ</p>		70€
<p>12 FOOT NATURAL GAS SUPPLY HOSE AND QUICK DISCONNECT ASSEMBLY</p> <ul style="list-style-type: none"> • complete quick disconnect kit for use with natural gas fuel supply • hose and connector assembly is intended only for outdoor use with portable appliances that may be moved for convenience of operation • valve in the socket automatically allows full gas flow when the plug is connected, and prevents gas flow when the plug is disconnected • includes quick disconnect socket with female pipe threads, plug and hose assembly and an adapter to mate with a female fitting on the grill (remove for mating hose to male fittings) 	GSH12	1.4 00€

